

Mushroom
Cultivation
Bags

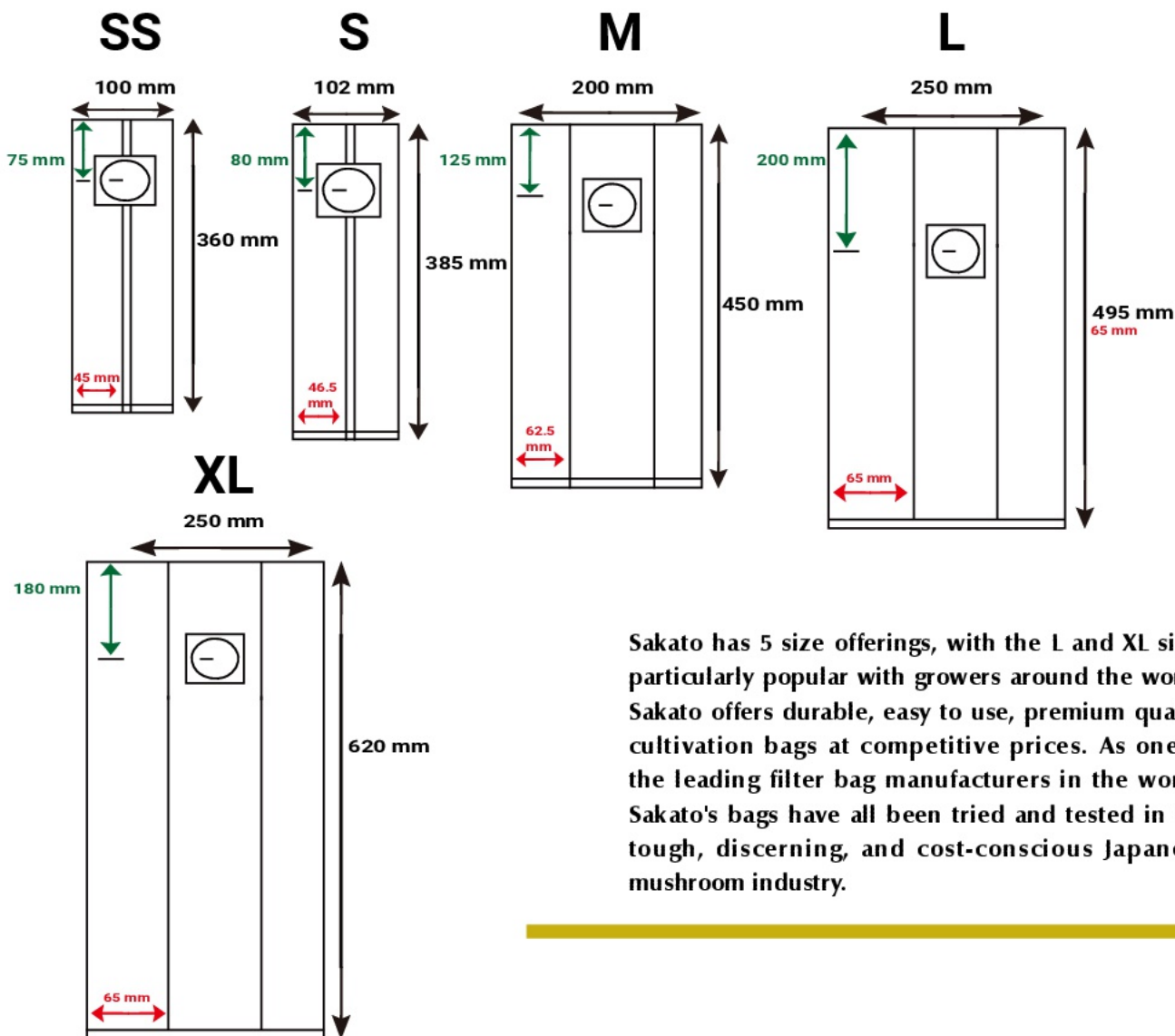
SALAI
x
SAKATO

MADE IN JAPAN

SAKATO, a pioneer and one of the largest manufacturers mushroom cultivation bags, and SALAI have joined together to provide global customers with products tailored to individual needs.

Standard mushroom cultivation bags:

The vast majority of mushroom cultivation bags have permeable polypropylene or polyethylene filters. In Japan, MM filters are popular for shiitake mushrooms, for example. Choosing the optimal filter depends on factors such as: the cultivation period, the medium substrate, the particular strain of spawn in use, the cultivation temperature, the amount of spawn used, and the weight of substrate in the bag. In addition, local factors and growing conditions can also play a role.

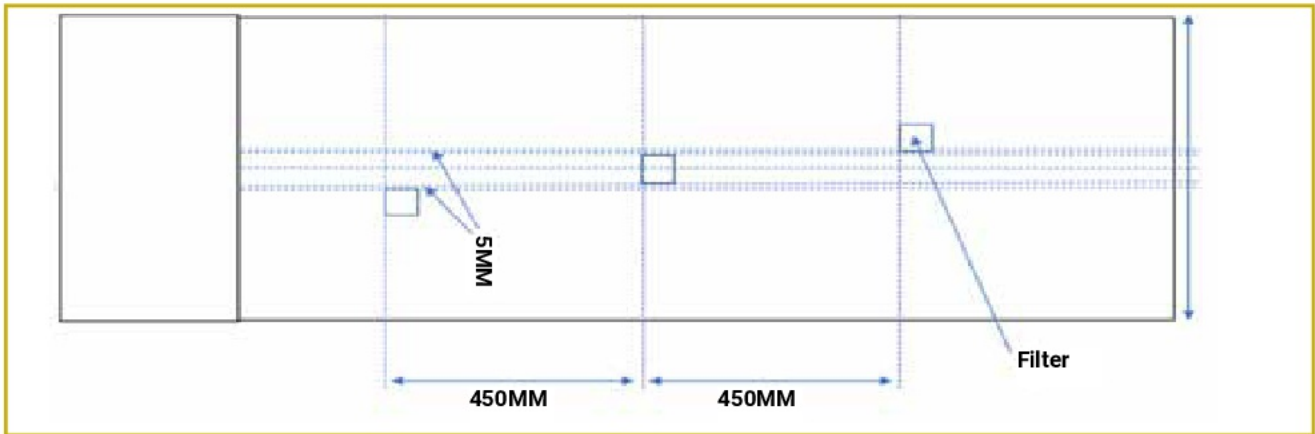


Sakato has 5 size offerings, with the L and XL sizes particularly popular with growers around the world. Sakato offers durable, easy to use, premium quality cultivation bags at competitive prices. As one of the leading filter bag manufacturers in the world, Sakato's bags have all been tried and tested in the tough, discerning, and cost-conscious Japanese mushroom industry.



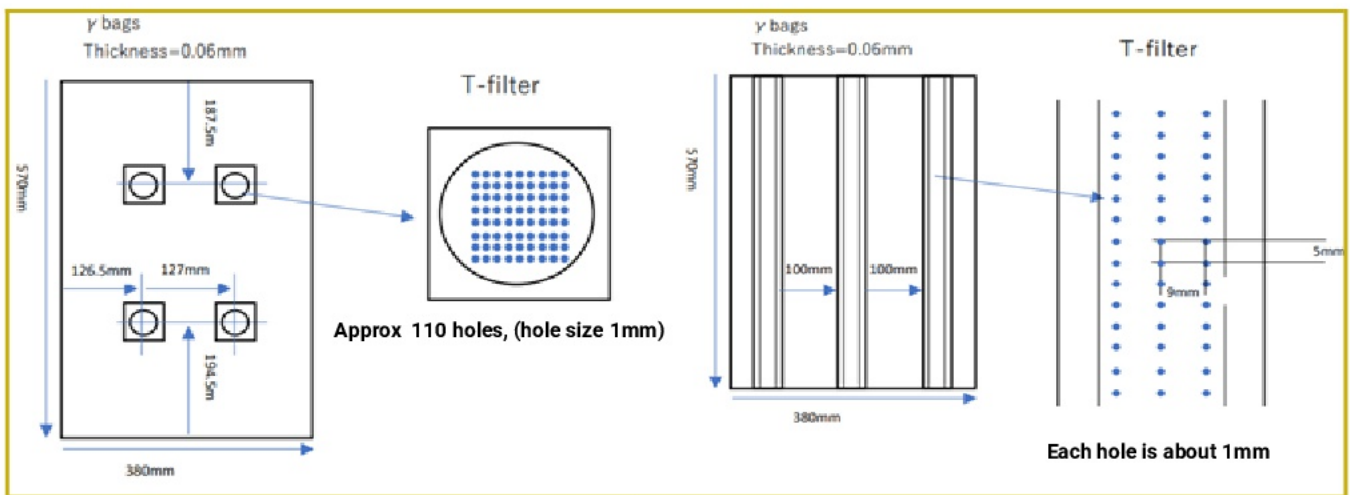
Filter patched roll film for Bulk System:

Our bag roll is for substate bagging and was developed for machines that automatically seal bags. The width and filter size can be adjusted according to the customer's needs.



Pillow bag for spawn production:

Pillow bags are favored by most mushroom growers around the world to rapidly produce high-quality spawn. SALAI bags can be filled with culture medium by any type of machine. Choose your preferred pillow bag from a range of types, including striped filters and multiple filters.



Filter type:

We have a variety of filters to choose from, including the high-permeability ES filter, and the T and R filters with low permeability and bacteria infiltration rate, to suit a range of growing environments such as air-conditioned and outdoor.

ES



MM



T



R



Permeability

High

Low

Thickness:

We have a wide range of thicknesses available from the highly practical 50μ to the pinhole resistant 75μ.

